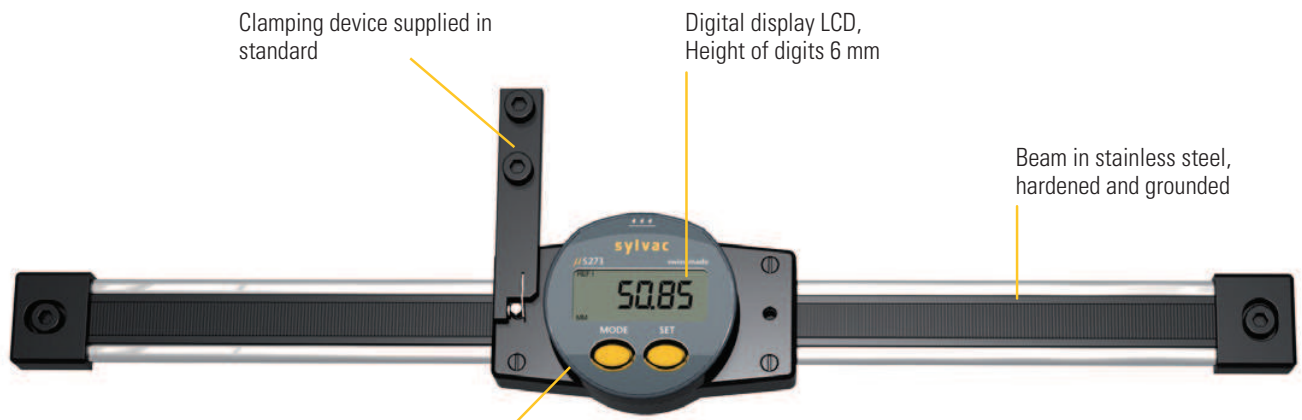


Digital scales

S_Scale WORK

A DESCRIPTION

- Max displacement speed: 2 m/sec
- RS232 or USB Data output
- External power supply by Power cable
- Easy to integrate in your projects



Aluminium carriage
Plastic rotating display on 270°



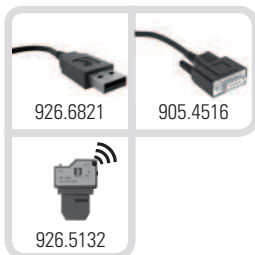
SWISS MADE

SIS Smart Inductive System

WATER RESISTANT

IP65

POWER

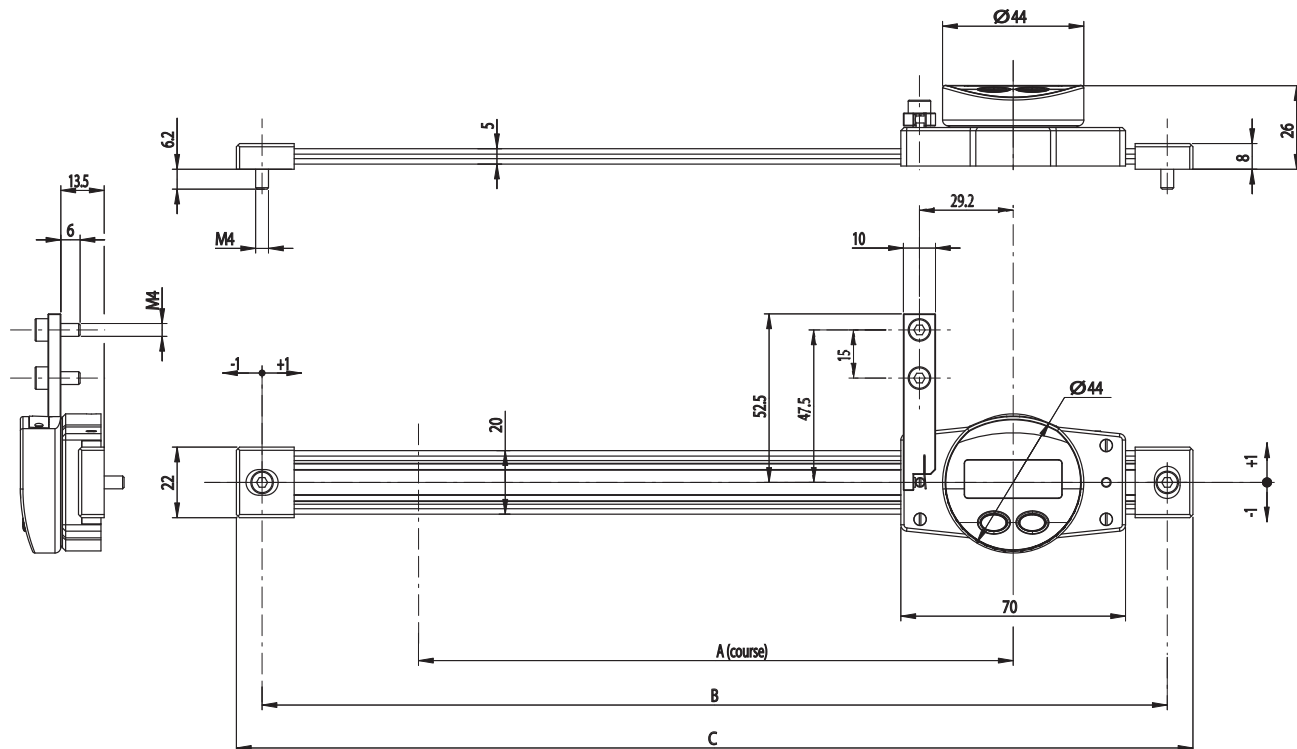


Digital scales

S_Scale WORK

DIMENSIONAL DRAWINGS

A



TECHNICAL SPECIFICATIONS

| | | 816.1015 | 816.1020 | 816.1030 | 816.1060 |
|----------------------------------|----|--------------------------------------|----------|----------|----------|
| Measuring range | mm | 150 | 200 | 300 | 600 |
| Type | | H / V | H / V | H / V | H / V |
| Max. Error | µm | 20 | 20 | 30 | 30 |
| Repeatability ¹⁾ | µm | 10 | 10 | 10 | 10 |
| Resolution mm | | 0.01 | 0.01 | 0.01 | 0.01 |
| A | mm | 185 | 235 | 335 | 665 |
| B | mm | 282 | 332 | 432 | 762 |
| C | mm | 298 | 348 | 448 | 778 |
| S_Connect : Power | | USB / RS232 / Wireless ²⁾ | | | |
| Selection of measuring direction | | • | | | |
| PRESET function | | • | | | |
| 2 references | | • | | | |

¹⁾ ± 1 digit

²⁾ see cables chapter