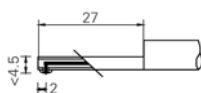


## ACCESSORIES



		TR Profile VH	TR Profile VHF	TR Profile DH-8 VH	TR Profile DH-8 VHF	TR Scan	TR Scan Premium
<b>TA-MI-701</b> 279 970000 001	Optical pen, with optical fiber and certificate, measuring range=130 $\mu\text{m}$ , lateral resolution=0.9 $\mu\text{m}$					•	•
<b>TA-MI-707</b> 279 970001 001	Optical pen, with optical fiber and certificate, measuring range=130 $\mu\text{m}$ , lateral resolution=1.4 $\mu\text{m}$					•	•
<b>TA-MI-708</b> 279 970001 002	Optical pen, with optical fiber and certificate, measuring range=400 $\mu\text{m}$ , lateral resolution=1.2 $\mu\text{m}$					•	•
<b>TA-MI-702</b> 279 970000 002	Optical pen, with optical fiber and certificate, measuring range=400 $\mu\text{m}$ , lateral resolution=1.7 $\mu\text{m}$					•	•
<b>TA-MI-713</b> 279 970002 002	Optical pen, with optical fiber and certificate, measuring range=400 $\mu\text{m}$ , lateral resolution=3.5 $\mu\text{m}$					•	•
<b>TA-MI-709</b> 279 970001 003	Optical pen, with optical fiber and certificate, measuring range=1400 $\mu\text{m}$ , lateral resolution=2 $\mu\text{m}$						•
<b>TA-MI-703</b> 279 970000 003	Optical pen, with optical fiber and certificate, measuring range=1400 $\mu\text{m}$ , lateral resolution=4 $\mu\text{m}$						•
<b>TA-MI-710</b> 279 970001 004	Optical pen, with optical fiber and certificate, measuring range=4000 $\mu\text{m}$ , lateral resolution=4 $\mu\text{m}$						•
<b>TA-MI-704</b> 279 970000 004	Optical pen, with optical fiber and certificate, measuring range=4000 $\mu\text{m}$ , lateral resolution=7 $\mu\text{m}$						•
<b>TA-MI-711</b> 279 970001 005	Optical pen, with optical fiber and certificate, measuring range=12000 $\mu\text{m}$ , lateral resolution=7 $\mu\text{m}$						•
<b>TA-MI-705</b> 279 970000 005	Optical pen, with optical fiber and certificate, measuring range=124000 $\mu\text{m}$ , lateral resolution=12.37 $\mu\text{m}$						•
<b>TA-MI-712</b> 279 970001 006	Optical pen, with optical fiber and certificate, measuring range=24000 $\mu\text{m}$ , lateral resolution=8 $\mu\text{m}$						•
<b>TA-MI-706</b> 279 970000 006	Optical pen, with optical fiber and certificate, measuring range=24000 $\mu\text{m}$ , lateral resolution=14 $\mu\text{m}$						•
<b>TA-MS-601</b> 279 980001 001	Standard tracer, with skid R = 25 mm bore > $\varnothing$ 8 mm, depth < 27 mm	•	•	•	•		



TR Profile VH



TR Profile VHF



TR Profile  
DH-8 VH



TR Profile  
DH-8 VHF

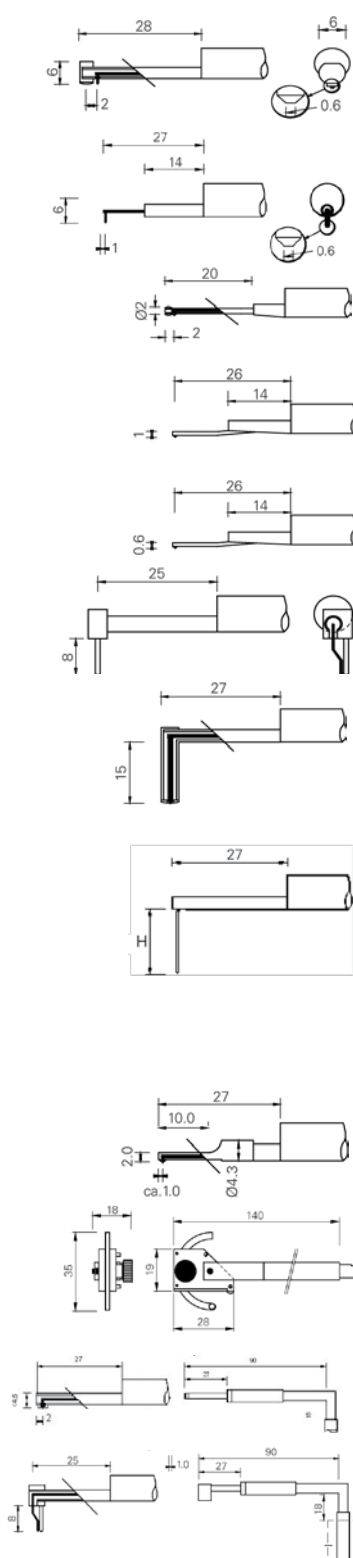


TR Scan



TR Scan  
Premium

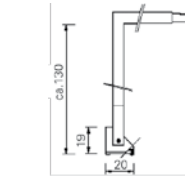
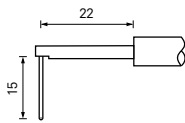
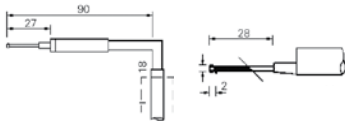
## ACCESSORIES



		TR Profile VH	TR Profile VHF	TR Profile DH-8 VH	TR Profile DH-8 VHF	TR Scan	TR Scan Premium
<b>TA-MS-602</b> 279 980001 002	Probe for small axes, knives, edges and wires with skid R=25 mm	●	●	●	●		
<b>TA-MS-603</b> 279 980001 003	Probe for small axes, knives, edges and wires without skid		●		●	●	●
<b>TA-MS-604</b> 279 980002 001	Bore probe with skid R=10 mm bore >Ø2.5 mm, depth < 20 mm	●	●	●	●		
<b>TA-MS-605</b> 279 980002 002	Bore probe, without skid bore >Ø1.5 mm, depth < 12 mm		●		●	●	●
<b>TA-MS-606</b> 279 980002 003	Small bore probe, without skid bore >Ø0.8 mm, depth < 12 mm		●		●	●	●
<b>TA-MS-607</b> 279 980003 001	Concave-convex probe, with skid R=1 mm for concave & convex workpieces with R>5 mm	●	●	●	●		
<b>TA-MS-608</b> 279 980004 001	Probe for slots, with skid R=25 mm slot depth < 15 mm, slot width > 3 mm	●	●	●	●		
<b>TA-MS-612</b> 279 980004 005	Probe for slots, H=5 mm, without skid slot depth < 5 mm, slot width > 1.0 mm		●		●	●	●
<b>TA-MS-611</b> 279 980004 004	Probe for slots, H=10 mm, without skid slot depth < 10 mm, slot width > 1.0 mm		●		●	●	●
<b>TA-MS-609</b> 279 980004 002	Probe for slots, H=15 mm, without skid slot depth < 15 mm, slot width > 1.5 mm		●		●	●	●
<b>TA-MS-610</b> 279 980004 003	Probe for slots, H=20 mm, without skid slot depth < 20 mm, slot width > 1.5 mm		●		●	●	●
<b>TA-MS-620</b> 279 980005 001	Probe for gear tooth profiles, with skid , module >= 2	●	●	●	●		
<b>TA-MS-621</b> 279 980006 001	Probe for circumference and balls, with skid for Ø >= 6 mm	●	●	●	●		
<b>TA-MS-622</b> 279 980007 001	Transverse probe, with skid R=25 mm	●	●	●	●		
<b>TA-MS-623</b> 279 980007 002	Transverse probe for slots, with skid R=1 mm slot depth < 7 mm	●	●	●	●		

## ACCESSORIES

TR Profile VH  
TR Profile VHF  
TR Profile DH-8 VH  
TR Profile DH-8 VHF  
TR Scan  
TR Scan Premium



<b>TA-MS-624</b> 279 980007 003	Transverse probe for bores, with skid R=25 mm	●	●	●	●		
<b>TA-MS-626</b> 279 980007 004	Transverse probe left side, without skid		●		●	●	●
<b>TA-MS-627</b> 279 980007 005	Transverse probe right side, without skid		●		●		
<b>TA-MS-625</b> 279 980008 001	Depth measuring probe, with skid R=25mm depth < 130 mm	●	●	●	●		
<b>TA-AD-601</b> 279 980901 001	Extension 100 mm for probe	●	●	●	●		
<b>TA-AD-602</b> 279 980901 002	Extension 150 mm for probe	●	●	●	●		
<b>TA-AD-603</b> 279 980901 003	Extension 200 mm for probe	●	●	●	●		
<b>TA-AD-604</b> 279 980901 004	Extension 500 mm for probe	●	●	●	●		
<b>TA-AD-605</b> 279 980901 005	Extension 750 mm for probe	●	●	●	●		
<b>TA-MS-650</b> 279 980010 001	Contour tracer				●		
<b>TA-MS-651</b> 279 980010 002	Contour measurement kit - Simple (for TR Profile DH-8/VHF), Contour tracer (TA-MS-650) with standard (TA-MG-651), DIASOFT Standard (TA-SW-602) & contour module Simple (TA-SW-610)				●		
<b>TA-MS-652</b> 279 980010 003	Contour measurement kit - Advanced (for TR Profile DH-8/VHF, Contour tracer (TA-MS-650) with standard (TA-MG-651), DIASOFT Standard (TA-SW-602) & contour mod. Advanced (TA-SW-611)				●		
<b>DHM-S1</b> 709 70 001	Measuring head DHM S1					●	●
<b>DHM-S2</b> 709 70 002	Measuring head DHM S2					●	●



TR Profile VH



TR Profile VHF



TR Profile  
DH-8 VH



TR Profile  
DH-8 VHF



TR Scan



TR Scan  
Premium

## ACCESSORIES



		TR Profile VH	TR Profile VHF	TR Profile DH-8 VH	TR Profile DH-8 VHF	TR Scan	TR Scan Premium
<b>CCM-P1</b> 709 70 005	Measuring head CCM P1					•	•
<b>DIA-P1</b> 709 70 003	Measuring head DIA P1					•	•
<b>TA-SU-601</b> 279 981001 001	XY table, base plate 70 x 70 mm, travel range 25 x 25 mm	•	•	•	•		
<b>TA-SU-602</b> 279 981901 001	Vice for XY table TA-SU-601, opening 22mm	•	•	•	•		
<b>TA-AD-606</b> 279 982001 001	Measuring stand with drive unit holder with aluminium base and column H=250 mm	•	•	•	•		
<b>TA-AD-608</b> 279 982001 003	Measuring stand with drive unit holder with aluminium base and column H=500 mm	•	•	•	•		
<b>TA-AD-607</b> 279 982001 002	Measuring stand with drive unit holder with granite base and column H=250 mm	•	•	•	•		
<b>TA-AD-610</b> 279 982001 004	Measuring stand with drive unit holder with granite base and column H=500 mm	•	•	•	•		
<b>TA-AD-609</b> 279 982901 001	Drive unit holder	•	•	•	•		
<b>TA-SU-603</b> 279 989001 001	Set with measuring stand and XY meas. table TA-AD-606 and TA-SU-601	•	•	•	•		
<b>TA-SU-604</b> 279 989001 002	Set with measuring stand,XY meas. table and vice TA-SU-603 and TA-SU-602	•	•	•	•		
<b>TA-SU-605</b> 297 700003 001	Swivelling stand, with magnetic base	•	•	•	•	•	•
<b>TA-SU-606</b> 297 700004 001	Precision vice 15 x 15 x 50 mm	•	•	•	•	•	•
<b>TA-SU-607</b> 297 700004 002	Precision vice 25 x 25 x 75 mm	•	•	•	•	•	•
<b>TA-SU-608</b> 297 700004 003	Precision vice 35 x 35 x 100 mm	•	•	•	•	•	•

## ACCESSORIES



		TR Profile VH	TR Profile VHF	TR Profile DH-8 VH	TR Profile DH-8 VHF	TR Scan	TR Scan Premium
<b>TA-SU-609</b> 297 700005 001	Support plate for vice TA-SU-606	•	•	•	•	•	•
<b>TA-SU-610</b> 297 700005 002	Support plate for vice TA-SU-607	•	•	•	•	•	•
<b>TA-SU-611</b> 297 700005 003	Support plate for vice TA-SU-608	•	•	•	•	•	•
<b>TA-SE-601</b> 605 01 021	Clamping set, TA-SU-605/TA-SU-607/TA-SU-610	•	•	•	•	•	•
<b>TA-MG-609</b> 278 980001 001	Roughness standard, Ra=3.0 µm	•	•	•	•	•	•
<b>TA-MG-610</b> 278 980001 002	Roughness standard, Ra=3.0 µm, with SCS certificate	•	•	•	•	•	•
<b>TA-MG-611</b> 278 980001 003	Roughness standard, Ra=1.0 µm	•	•	•	•	•	•
<b>TA-MG-612</b> 278 980001 004	Roughness standard, Ra=1.0 µm, with SCS certificate	•	•	•	•	•	•
<b>TA-MG-601</b> 278 980010 001	Roughness standard Ra=25 nm, with DKD Certificate					•	•
<b>TA-MG-602</b> 278 980010 002	Roughness standard Ra=50 nm, with DKD Certificate					•	•
<b>TA-MG-603</b> 278 980010 003	Roughness standard Ra=80 nm, with DKD Certificate					•	•
<b>TA-MG-605</b> 278 980010 005	Roughness standard Ra=0.2 µm, with DKD Certificate	•	•	•	•	•	•
<b>TA-MG-606</b> 278 980010 006	Roughness standard Ra=0.5 µm, with DKD Certificate	•	•	•	•	•	•
<b>TA-MG-607</b> 278 980010 007	Roughness standard Ra=1.5 µm, with DKD Certificate	•	•	•	•	•	•
<b>TA-MG-604</b> 278 980010 004	Set of roughness standards Ra=25/50/80 nm with DKD Certificate					•	•
<b>TA-MG-608</b> 278 980010 008	Set of roughness standards Ra=0.2/0.5/1.5 µm with DKD Certificate	•	•	•	•	•	•
<b>TA-MG-651</b> 278 980001 011	Contour standard	•	•	•	•	•	•
<b>TA-MG-652</b> 278 980001 012	Contour standard, with SCS certificate	•	•	•	•	•	•
<b>TA-EL-040</b> 358 0020	Joystick					•	•



TR Profile VH



TR Profile VHF



TR Profile  
DH-8 VH



TR Profile  
DH-8 VHF



TR Scan



TR Scan  
Premium

## ACCESSORIES



## DIASOFT



		TR Profile VH	TR Profile VHF	TR Profile DH-8 VH	TR Profile DH-8 VHF	TR Scan	TR Scan Premium
	<b>LABC-40</b> 356 0010					•	•
	<b>TA-EL-030</b> 356 0016					•	•
	<b>TA-EL-001</b> 332 10 0011					•	•
	<b>TA-EL-002</b> 332 10 0013					•	•
	<b>TA-EL-003</b> 332 10 0016					•	•
	<b>TA-EL-004</b> 332 10 0014					•	•
	<b>TA-EL-005</b> 616 20 003					•	•
	<b>TA-SW-601</b> 394 1 3301	•	•	•	•		
	<b>TA-SW-602</b> 394 1 3302	•	•	•	•		
	<b>TA-SW-603</b> 394 1 3303	•	•	•	•		
	<b>TA-SW-604</b> 394 1 3304	•	•	•	•		
	<b>TA-SW-610</b> 394 1 3310					•	
	<b>TA-SW-611</b> 394 1 3311					•	
	<b>TA-SW-612</b> 394 1 3312	•	•	•	•		
	<b>Nanoware LT</b> 616 60 010					•	•
	<b>Nanoware XT</b> 616 60 011					•	•
	<b>Nanoware STT</b> 616 60 012					•	•
	<b>Nanoware XTT</b> 616 60 013					•	•
	<b>Nanoware PRO</b> 616 60 014					•	•